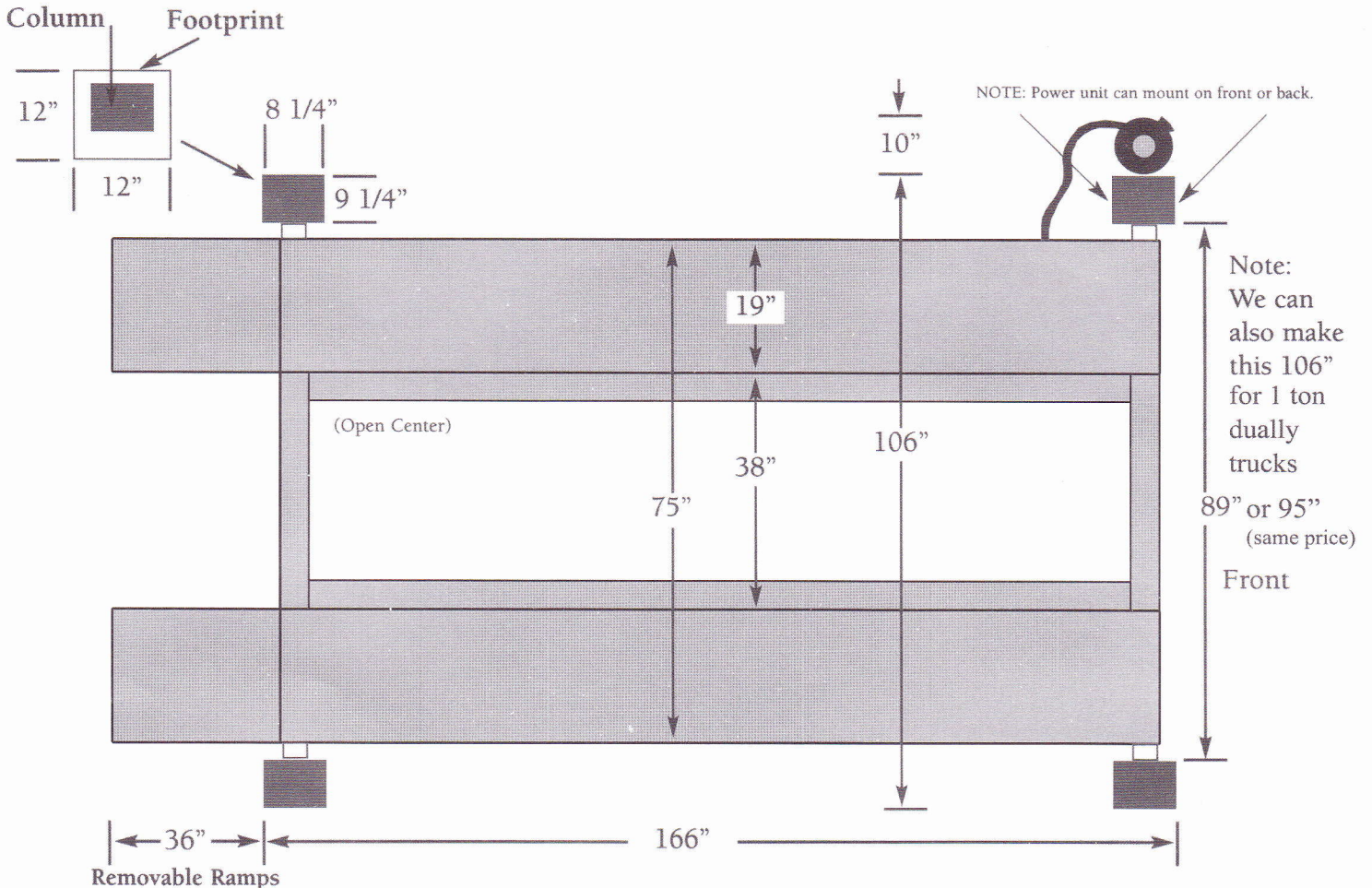
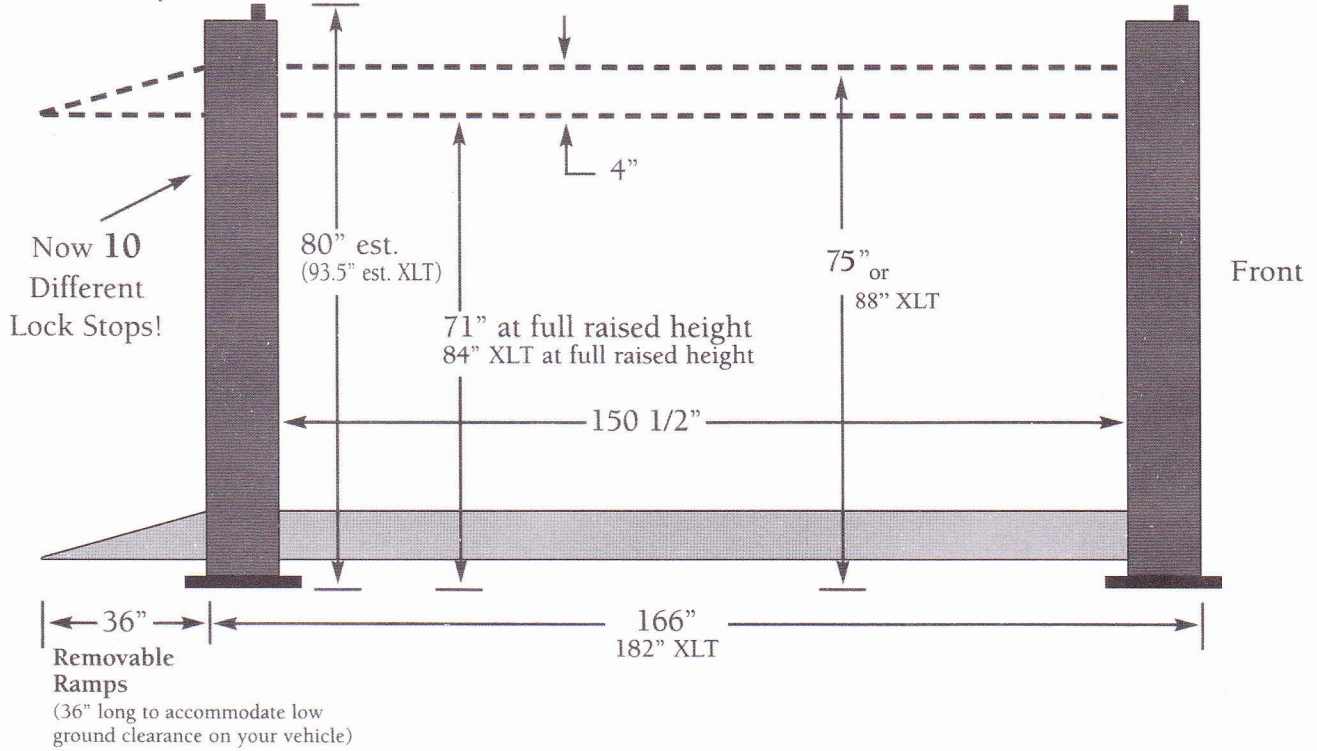


Perfect Park 7000™

PATENT# 09/507,379



SHIPPING WEIGHT 1920 LBS.