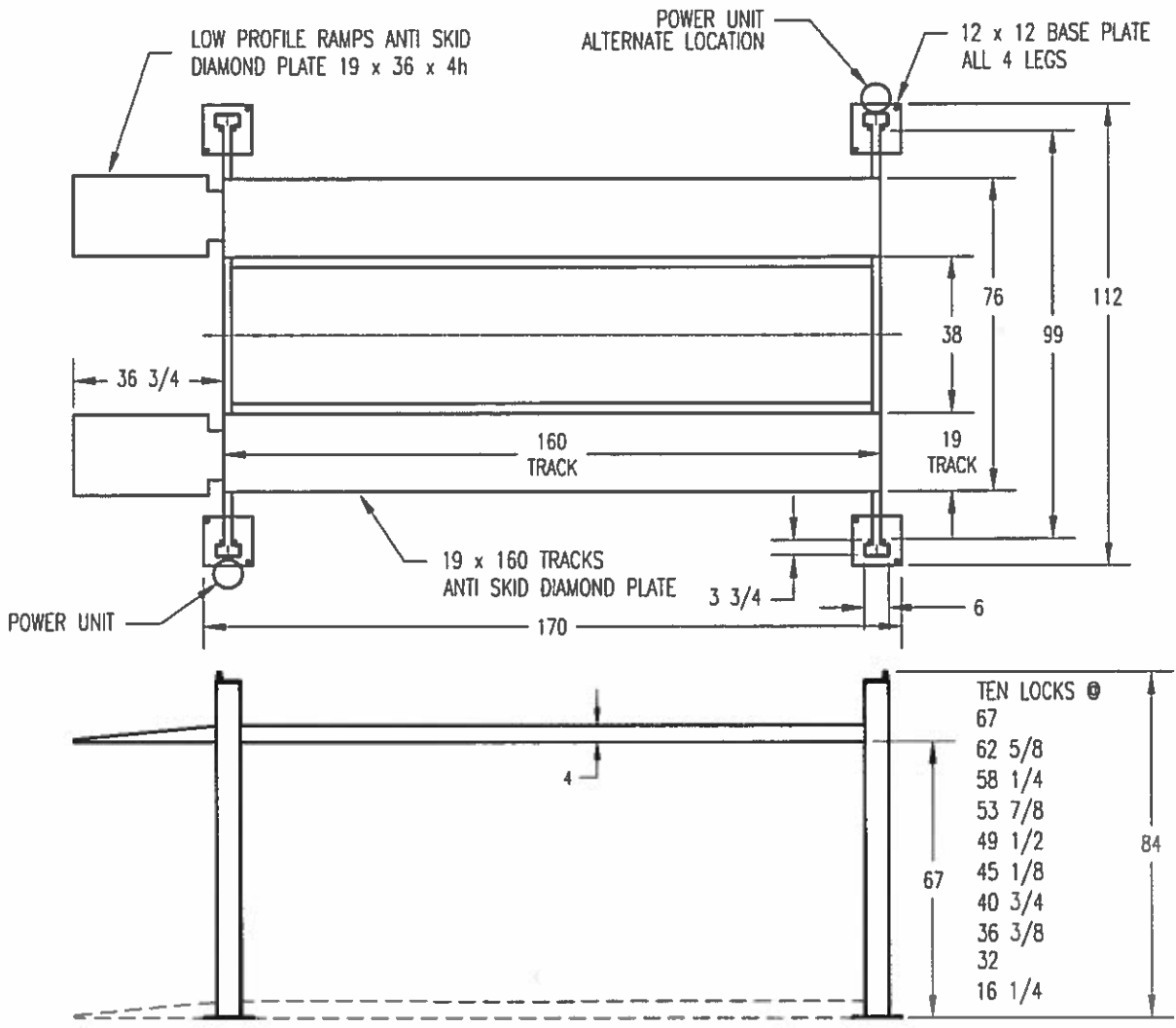


REV	DATE	DESCRIPTION
-----	------	-------------



CAPACITY 7000lbs
 110v 1 hp 30 amp single phase
 OR - 220v 2 hp 30 amp single phase
 POWDER COAT FINISH, WHEEL STOPS,
 10 LOCKING POSITIONS FOR VERSATILITY AND SAFETY

OPTIONS -CASTER KIT:
 ALUMINUM RAMPS: Light weight, easily removable.
 JACK TRAY: Great for tire and brake work.
 DRIP TRAYS: Protects the lower cars.
 SOLID DECK: Great for any type of storage.
 KEY SWITCH: No one can use your lift unless you want them to.

12.15.04 SPECIFICATIONS SUBJECT TO CHANGE WITHOUT NOTICE OR LIABILITY



SPECIFICATIONS SG 7000

Gemini Auto Lifts
 800-974-7646
 geminiautolifts.com

NOTICE: THIS DRAWING AND ITS CONTENTS ARE THE PROPERTY OF GEMINI AUTO LIFTS INC, AND THEY ARE NOT TO BE COPIED OR USED IN ANY WAY WITHOUT THE EXPRESSED WRITTEN CONSENT OF GEMINI AUTO LIFTS INC.

DATE: 7.22.03	
SCALE: 1:40	
RQD:	
P/N	REV
P 0701 000	

TOL: FRACT ±1/16 .XX ±.020 .XXX ±.005